

Original 1227™ Mini Desk Lamp

ANGLEPOISE®

Original 1227™ Mini Collection | Technical Sheet

Launched In 2015 | Designed by George Carwardine



Product

Desk Lamp - Jet Black
Desk Lamp - Linen White
Desk Lamp - Dove Grey

Description

It may be two thirds the size of our much-loved Original 1227™, but our Original 1227™ Mini desk lamp is a smaller version of this iconic 1930s design, featuring Anglepoise unique constant tension spring mechanism, traditional stepped base, chrome fittings and signature shade.

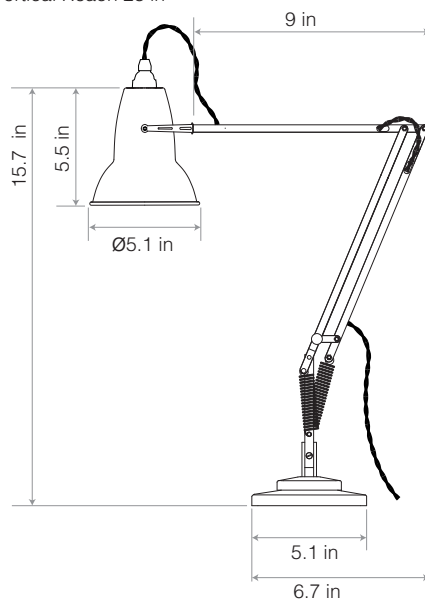
Materials

- Gloss paint finish
- Steel shade
- Chrome plated fittings
- Cast Iron base with steel cover
- Aluminum arms
- IP20 Rating

Dimensions

- Shade diameter: 5.1in
- Shade height: 5.5in
- Max reach: 22in (from base to shade)
- Base size: 5.1 x 5.1in
- Cable length: 70.9in
- Lamp packaging (L x W x H): 11in x 7.5in x 18.3in
- Lamp packaged weight: 7.3lbs

Max Horizontal Reach 22 in
Max Vertical Reach 28 in



Electrical

- cUL Certified
- Voltage: 110/120V, 50/60Hz
- Note: Bulb weight critical for balance. Approximate bulb weight 25-45g
- Inline cable switch (11in from product)
- Plug: 2-blade US plug to NEMA 1-15
- E26 Lamp holder
- Maximum permitted bulb: 15W CFL / 10W LED
- Supplied with a compatible LED bulb:
 - 6.5W LED Bulb
 - Luminous Intensity: 600lm
 - Life: 15,000 Hours
 - Non-dimmable
 - Color Temperature: 2700K
 - CRI (Ra) : ≥ 80

