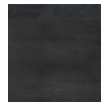


# Mix Modular Prism Table

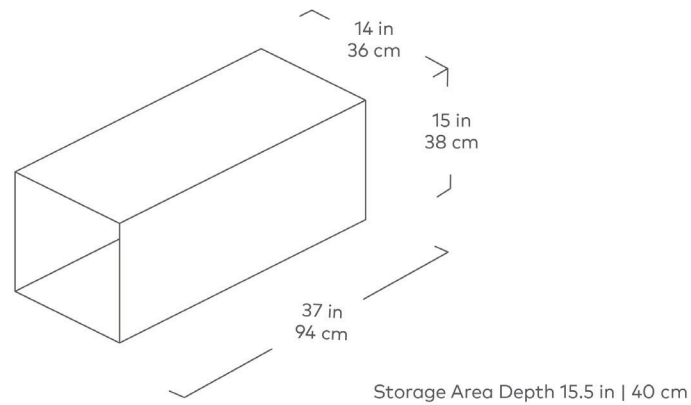


Hot  
Rolled  
Steel

Designed with our Mix Modular Collection in mind, the Prism Table evokes the best of custom design solutions for a living room layout that's as unique as your home. Made of hot rolled steel, this surprisingly lightweight hollow side table can be slotted into one of our modular sofas or sectionals as a handy hard surface where you can stash all your relaxation necessities, from drinks and remotes to books and throw blankets. With an industrial vibe that is edgy and fresh, each Prism Table features unique natural markings that give the piece a collected, one-of-a-kind charm.

Design Trade Professionals: We aim to keep our designs in stock and ready to ship quickly for projects on a tight timeline. Designs may be customized with COM and alternate finishes (minimum quantities may apply). Visit [guscontract.com](http://guscontract.com) for more information about our Trade & Contract programs.

# Mix Modular Prism Table



- 7 different components - Arm Left Facing, Arm Right Facing, Armless, Corner, Ottoman, Block Table & Prism Table.
- Crafted from 16g hot rolled sheet metal.
- Clear spray lacquer finish.
- Heavy duty felt pads on bottom to protect hardwood floors.
- Table is open on one side and storage area depth from opening is 15.5 in/40 cm.
- Hot-rolled steel is a natural material, with variations in markings, pattern and color that make each design unique.