

Milton Table Lamp

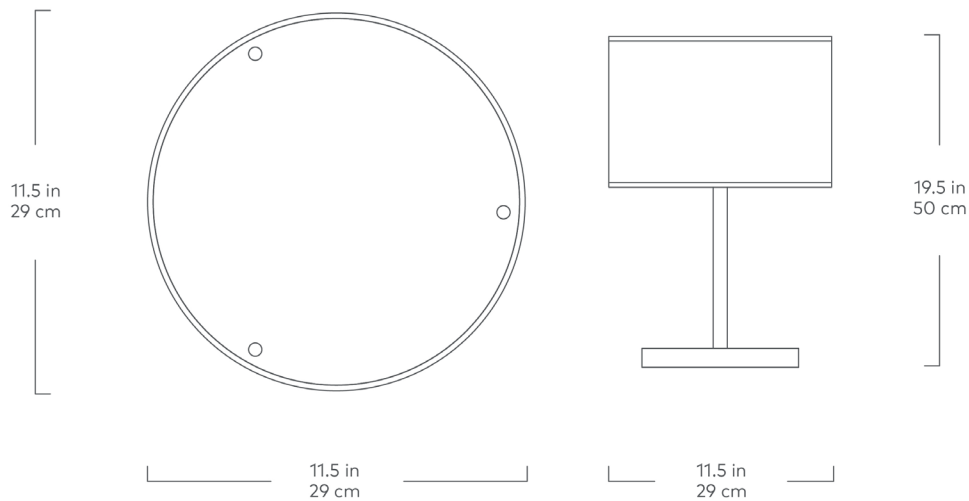


Natural
Ash Veneer

A love letter to the beauty of nature, the Milton lighting collection focuses on the unique intricacy of woodgrain to create an illuminating drum design. Featuring a shade made from natural wood veneer, the Milton Table Lamp is the finishing touch your room needs, enlivening a dark corner or unadorned side table with modern rustic appeal. The sleek black steel base features an accessible hand switch and black fabric electrical cord for an added textural element.

Design Trade Professionals: We aim to keep our designs in stock and ready to ship quickly for projects on a tight timeline. Designs may be customized with COM and alternate finishes (minimum quantities may apply). Visit gusmodern.com for more information about our Trade & Contract programs.

Milton Table Lamp



- Crafted from a piece of natural ash veneer.
- Has a plastic inner lining and finished with a fabric trim at the top and bottom.
- Lamp shade has a translucent acrylic diffuser on top.
- Black powder-coated weighted base.
- UL Listed.
- Recommended lightbulb is a 60W bulb or LED equivalent.
- Wood is a natural material, with variations in grain pattern and colour that make each design unique.