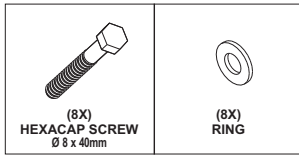


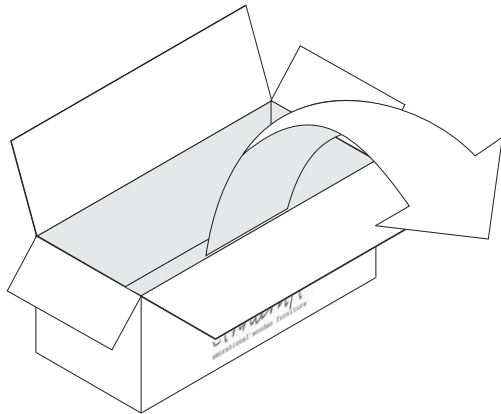
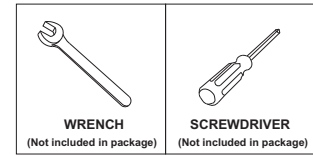
## SLICE EXTENDABLE DINING TABLE

### ASSEMBLY INSTRUCTION FOR DINING TABLE INSTALLATION

#### HARDWARES



#### TOOLS

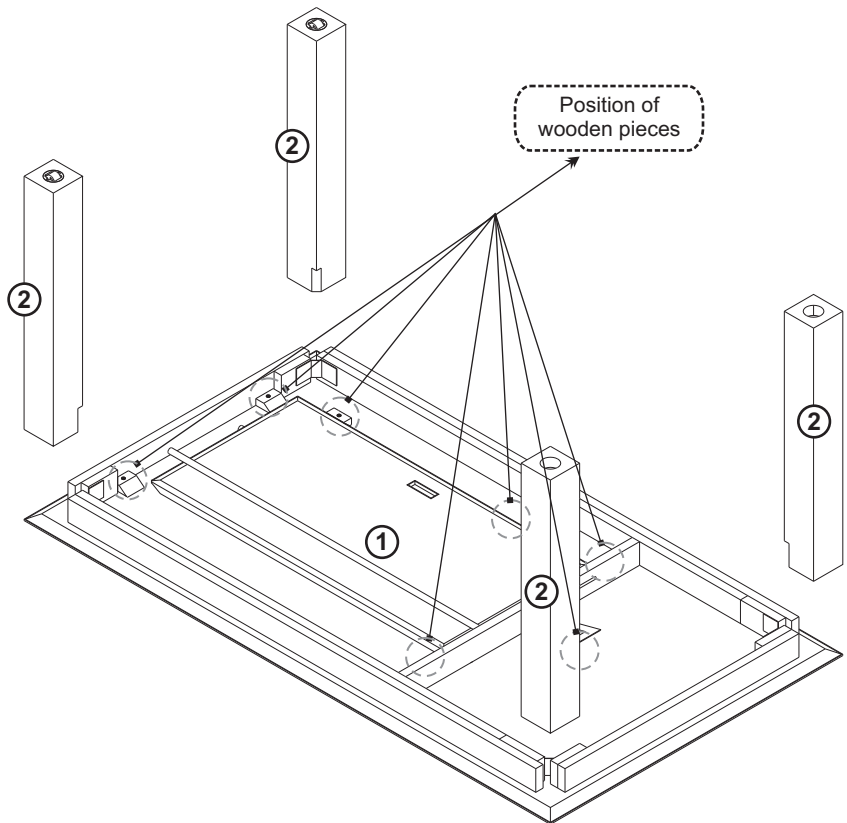


#### IN YOUR PACKAGE :

ASSEMBLY INSTRUCTION  
HARDWARE ( AS LISTED ABOVE)

#### PARTS TO BE INSTALLED

1. TOP PANEL 1pc
2. LEGS 4pcs

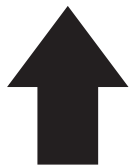


#### RECOMMENDATION :

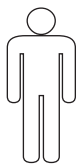


In order to avoid colour differences between the fixed table top and the extensions due to UV light, we suggest to put your dining table in extended version during the first month.

#### SYMBOLS



DIRECTION



NUMBER OF PERSONS NEEDED



USE HAND

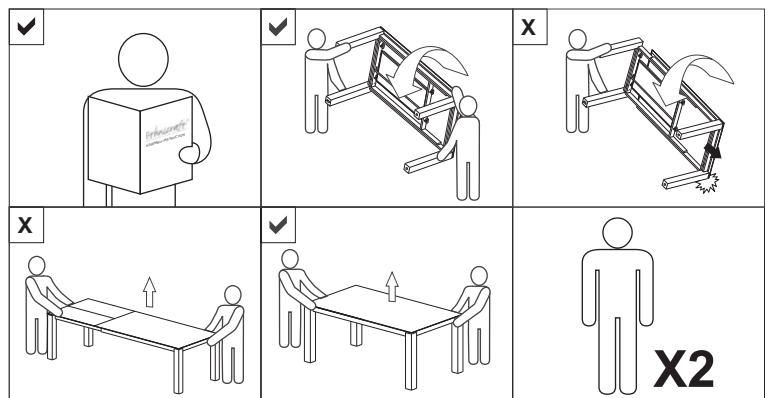


USE WRENCH TO TIGHTEN



USE SCREW DRIVER

#### NOTICE

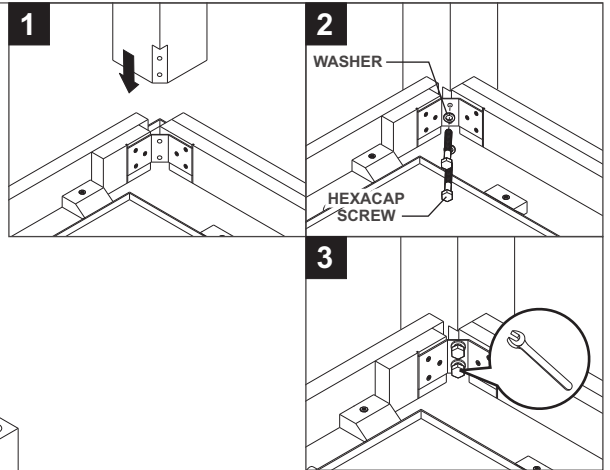
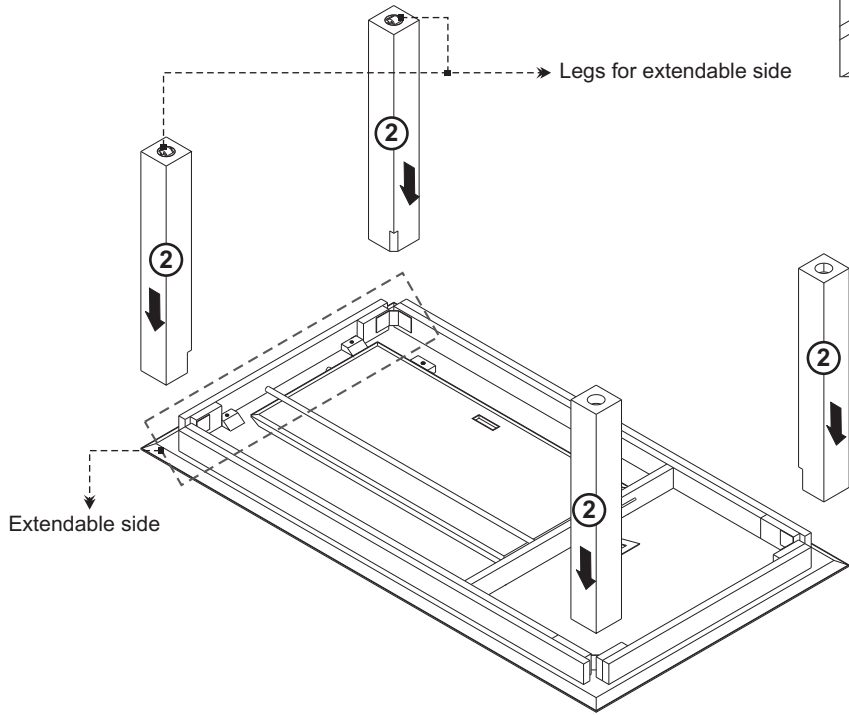


WHEN LIFTING THE TABLE :

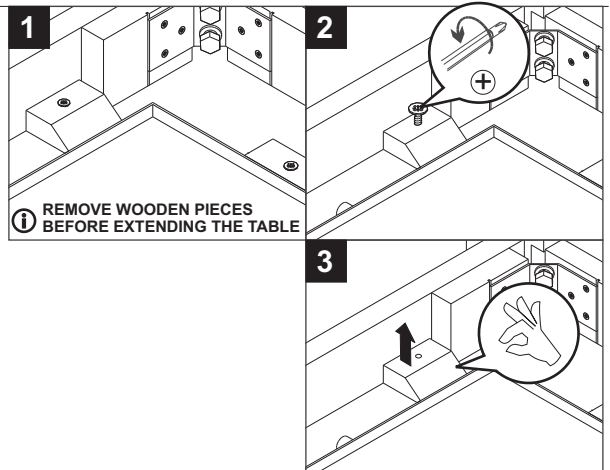
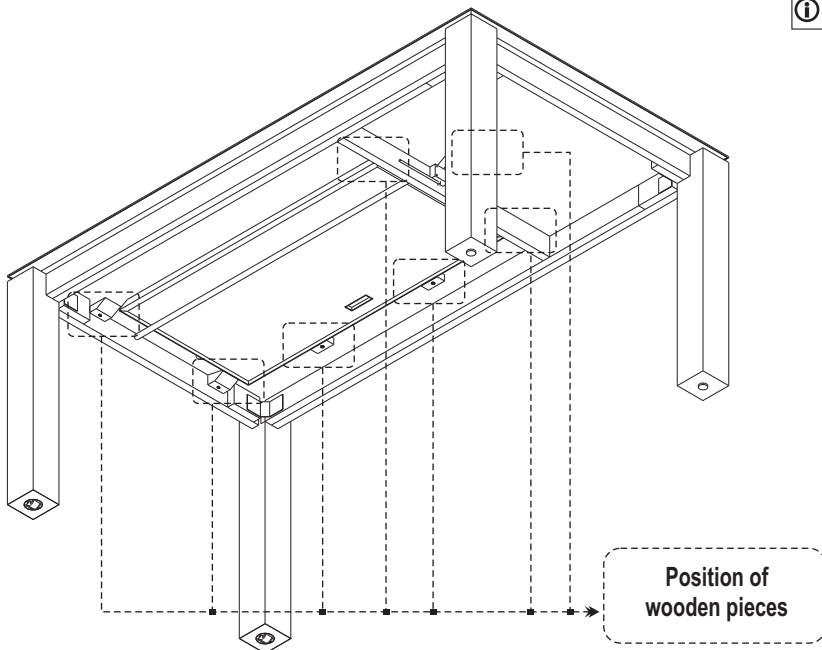
- LIFT ONLY ON THE APRON
- MAKE SURE TABLE IS IN UNEXTENDED POSITION

SLICE EXTENDABLE DINING TABLE  
ASSEMBLY INSTRUCTION FOR DINING TABLE INSTALLATION

**A. INSTALLING THE LEGS TO TABLE TOP**

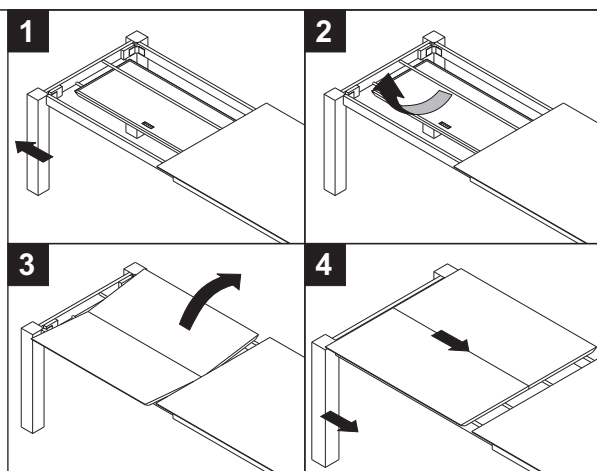
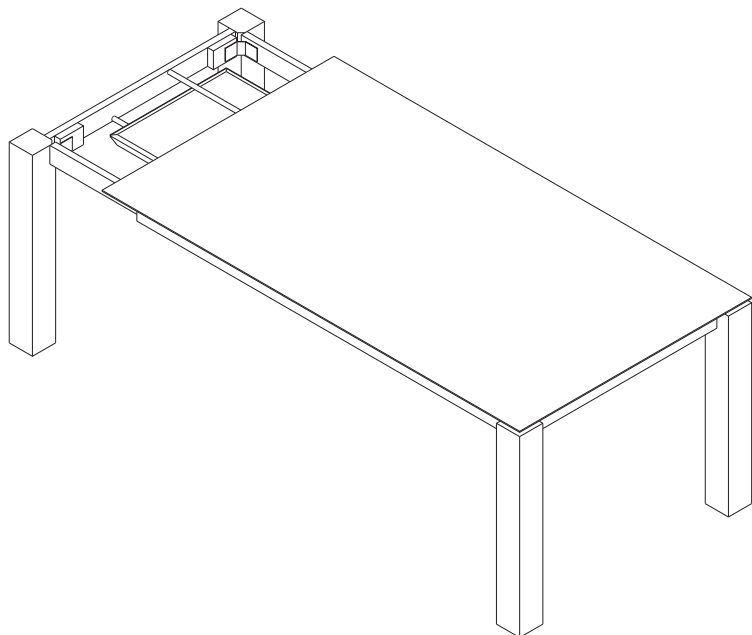


**B. REMOVE WOODEN PIECES & METAL CLEATS**

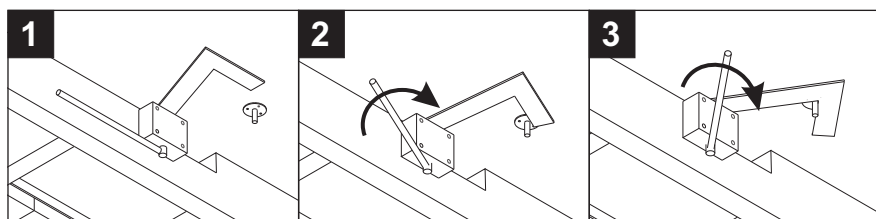


SLICE EXTENDABLE DINING TABLE  
ASSEMBLY INSTRUCTION FOR DINING TABLE INSTALLATION

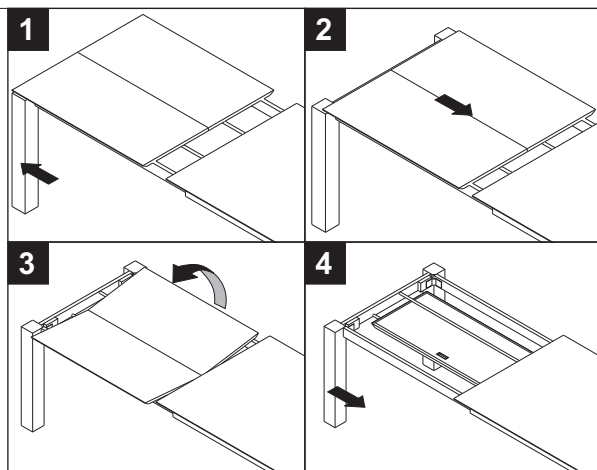
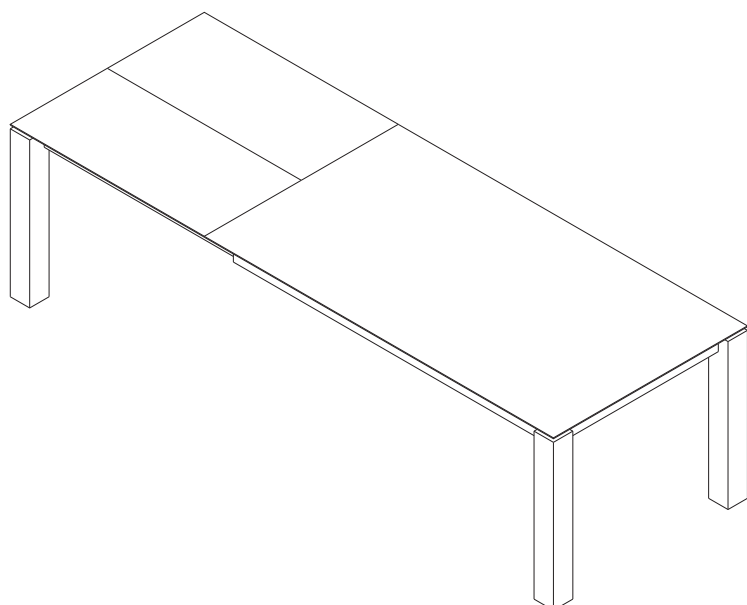
**C. EXTENDING**



NOTE : LOCK AFTER EXTENDING



**D. DISMANTLING**



NOTE : UNLOCK BEFORE DISMANTLING

